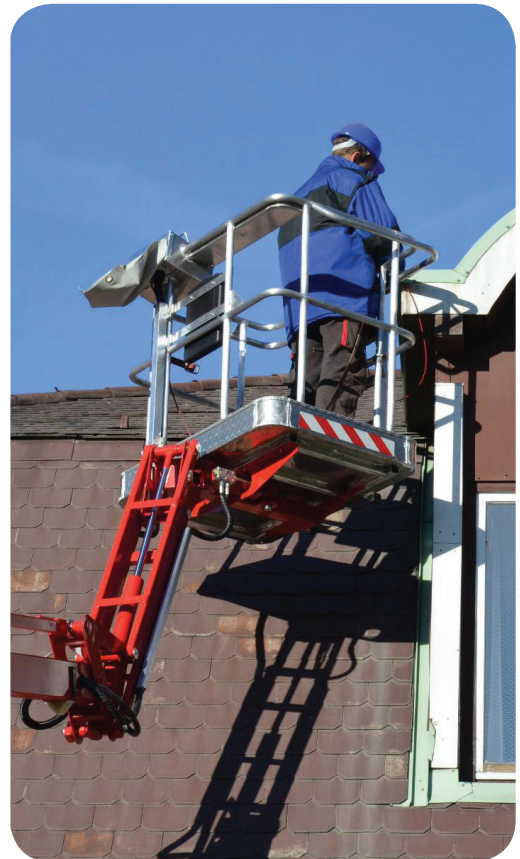


EuropeLIFT

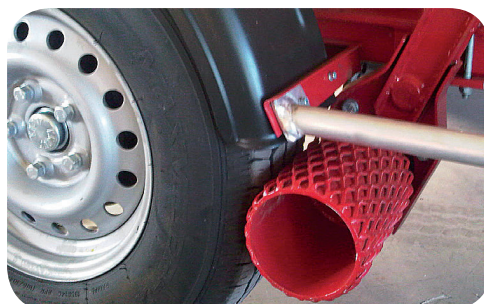
optimize reaching

TM13 G



- Working height 13.1 m
- Horizontal outreach (220 kg): 6.1 m
- Articulated telescopic boom
Flyjib 145°
- Standard Platform Rotator
- Hydraulic outriggers
- Ground pressure sensors on all outrigger plates with audible and visible alarms


TÜVRheinland®

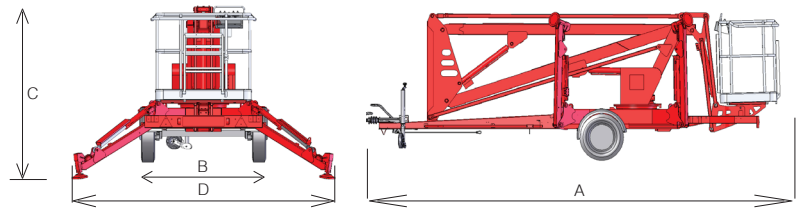


TRAILER MOUNTED BOOM LIFT

EuropeLIFT

TYP: TM 13 G

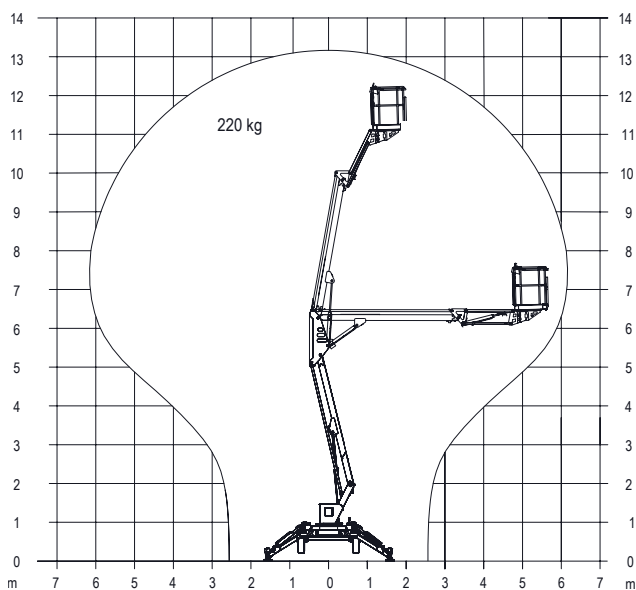
Technical data	TM 13 G
Working height	13.1 m
Platform height	11.1 m
Outreach	6.1
Platform capacity	220 kg
Rotation (non continuous)	355°
Jib length	1.2 m
Platform dimensions	1.2x0.8x1.1
Platform rotation	2x45°
Transport length (A)	6.35 m
Transport width (B)	1.55 m
Transport height (C)	1.99 m
Gross weight (230V)	1450 kg
Gross weight (24V DC vers.)	1580 kg
Outrigger footprint (D) Outrigger plate outer edge	3.45 m
Gradeability	8%
Max. tow speed	80 km/h
Brake	Overrun Brakes with Gas Spring
Tyres	195 R 14 C



STANDARD FEATURES

- Platform rotator 2x45°
- Basket leveling trough parallel rods
- Alu basket with wide tool tray, safety handrail and dual harness points
- Proportional electro hydraulic controls by fingertip joysticks
- Ground pressure sensors on all outrigger plates with audible and visible alarms
- 230V outlet in the basket
- Hourmeter
- Ground and upper controls with tarp cover
- EC type road approval
- Manual recovery with hand pump
- Automatic reverse and overrun brakes plus handbrake
- Colour of the machine: RAL 3002 (red)

ARBEITSDIAGRAM



OPTIONS

- Auto chassis level
- Custom colour
- Dual-Power source 230V & Honda
- Batterie Power 24V 225Ah
- On-board 230V Generator 5KV Honda EM5500
- G.R.P. basket with tool tray (2 person)
- Outrigger plate pads

Manufacturer: EuropeLIFT Kft.
Adresse: H-8992 Bagod, Gépállomás Street. 9.
Tel: +36 20 9474 767
Internet: www.europelift.com
E-mail: europelift@t-online.hu

Distributed by: